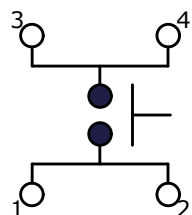
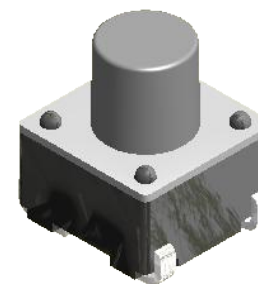
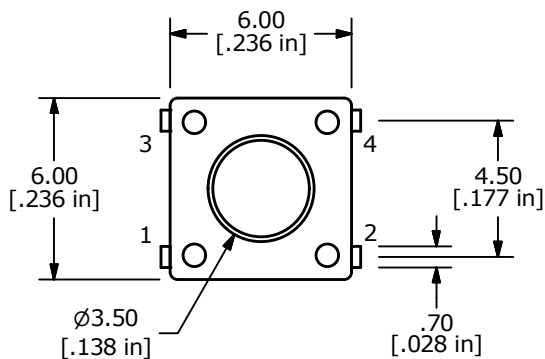
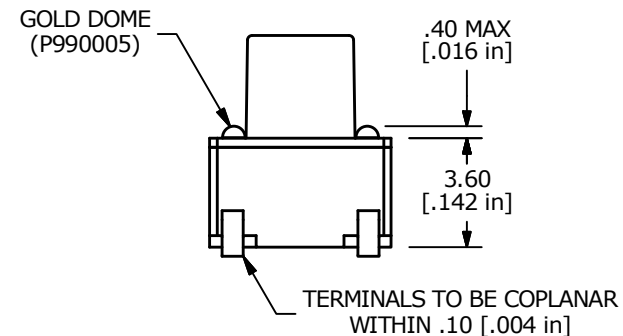
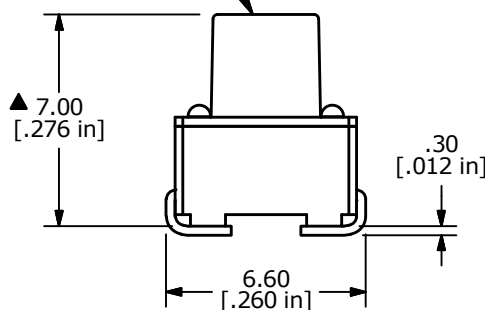


PCB LAYOUT



CIRCUIT: SPST

▲ ACTUATOR COLOR:  
BLACK



NOTES:

1. ALL DIMENSIONS IN MM
2. GENERAL TOLERANCE: X.X = ±0.4  
X.XX = ±0.25
3. TERM. NOS. FOR REFERENCE ONLY.
4. RATING: 12VDC, 50mA
- ▲ 5. OPERATING FORCE: 160 ± 50 gms
6. TRAVEL: 0.25mm +0.2/-0.1
7. CONTACT RESISTANCE: 100 MILLI OHMS MAX. (INITIAL)
8. MECHANICAL/ELECTRICAL LIFE: 100,000 CYCLES.
- ▲ 9. CONTACT MATERIAL: GOLD
- ▲ 10. PACKAGE: REEL (750 PCS. PER REEL)
11. ▲ DENOTES CRITICAL PARAMETER
12. 2011/65/EU (ROHS) COMPLIANT



TITLE TL3301FF160RJ				
SCALE	DATE	DR	DWG	REV
4:1	4/6/2017	MJR	P010667	A

A	22791	NEW RELEASE	4/6/17	MJR
REV	PCR NO	DESCRIPTION	DATE	BY

THE INFORMATION CONTAINED IN THIS DOCUMENT IS PROPRIETARY TO E-SWITCH AND IS NOT TO BE COPIED OR TRANSFERRED